

## 91-5 Draw Latch

Under-center · Adjustable

### Features

- Adjustable grip
- Kick out feature disengages from keeper
- Secondary catch option to prevent accidental opening

### Installation Notes

- M4 screws (not supplied)

### Material

- Stainless steel or steel, zinc plated

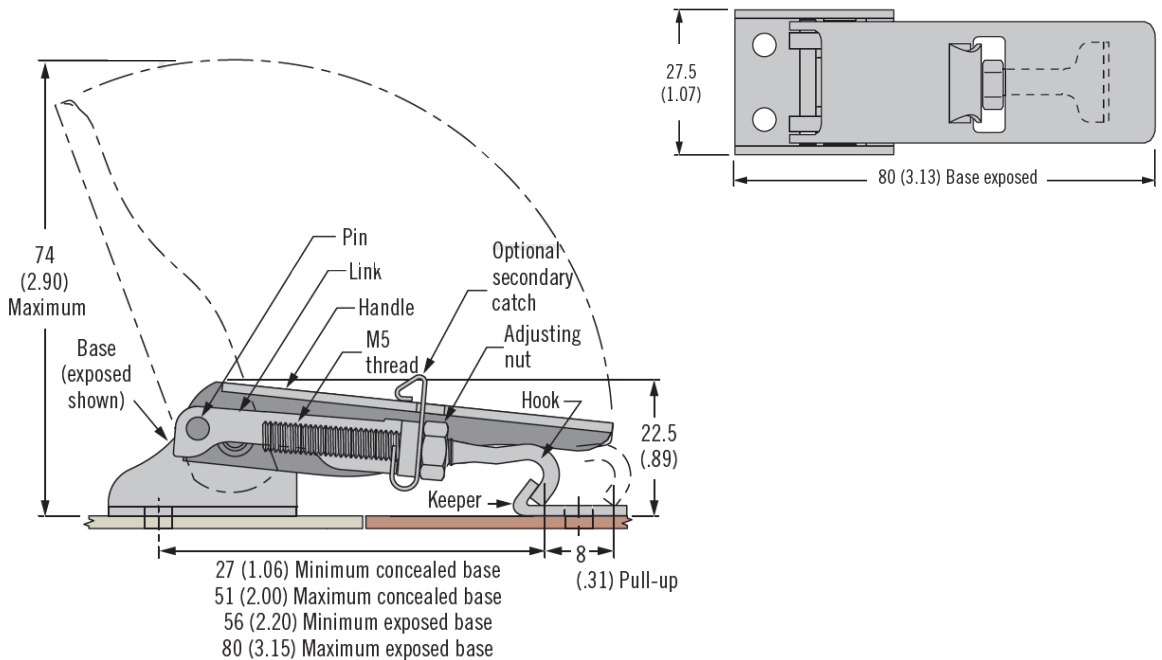
### Product Performance

- Maximum working load:
  - With 91-600 keeper: 1,325 N
  - With K4-2338 keeper: 1,550 N

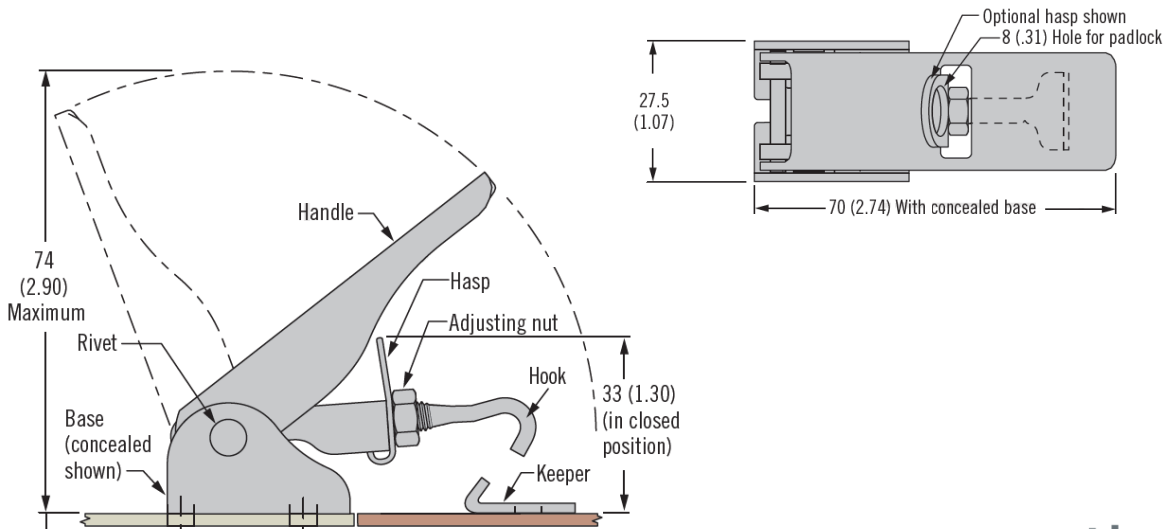


### Latch

Exposed Base (Secondary catch option shown)

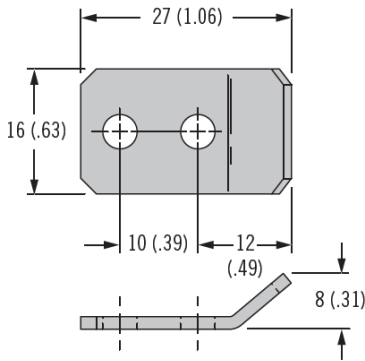


Concealed Base (Hasp option shown)

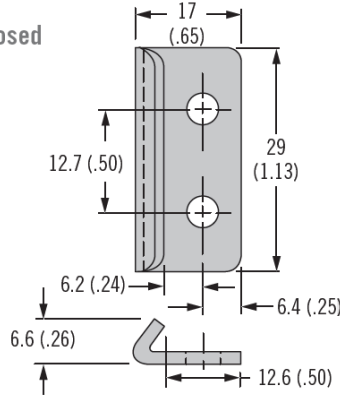


## Keepers

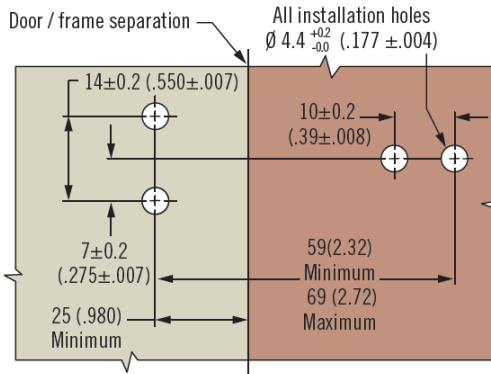
### Concealed



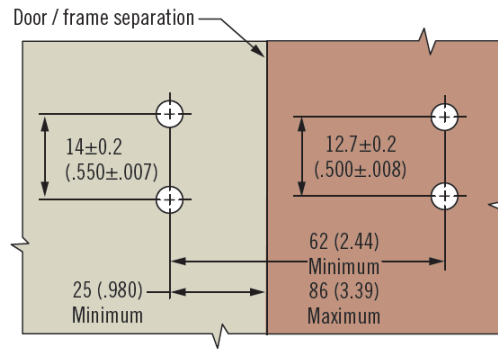
### Exposed



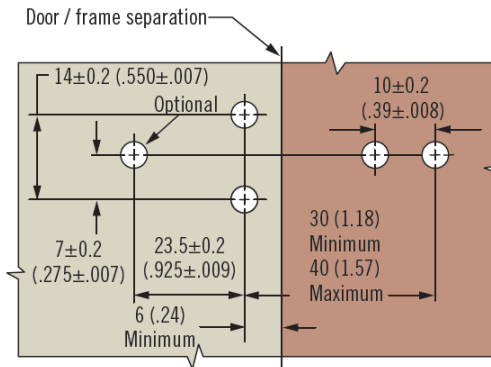
### Exposed Base and Concealed Keeper



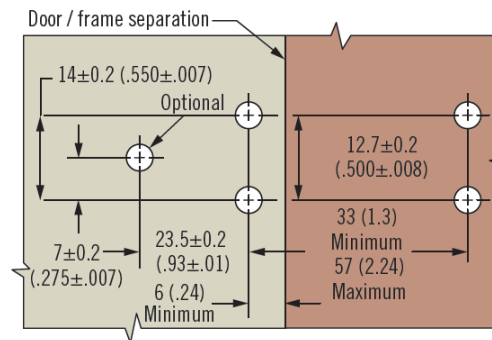
### Exposed Base and Exposed Keeper



### Concealed Base and Concealed Keeper



### Concealed Base and Exposed Keeper



### B Base type

- 1 Concealed
- 2 Concealed with secondary catch
- 3 Concealed with padlock hasp
- 5 Exposed
- 6 Exposed with secondary catch
- 7 Exposed with padlock hasp

### F Finish

- 07 Steel, zinc plated
- 52 Stainless steel

91 - 5 **B** 2 - **F**

Finish	Keeper Part Number	
	Concealed	Exposed
Steel	91-600-07	K4-2338-07
Stainless Steel	91-600-52	K4-2338-52
Stainless Steel, Black	91-600-63	K4-2338-63

## 91-3 Draw Latch

Under-center - Adjustable

### Features

- Adjustable grip
- Secondary catch option to prevent accidental opening

### Installation Notes

- Ø2.5 screws (not supplied)

### Material

- Stainless steel or steel, zinc plated

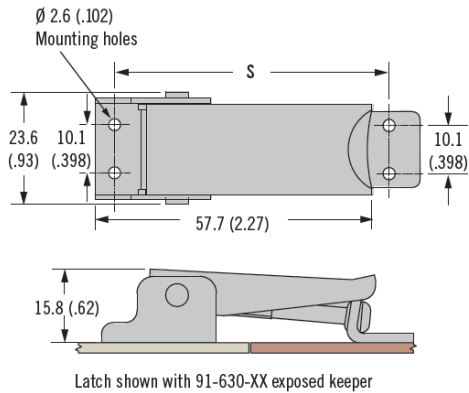
### Product Performance

- Maximum working load
  - Stainless steel: 710 N
  - Steel, zinc plated: 1200 N

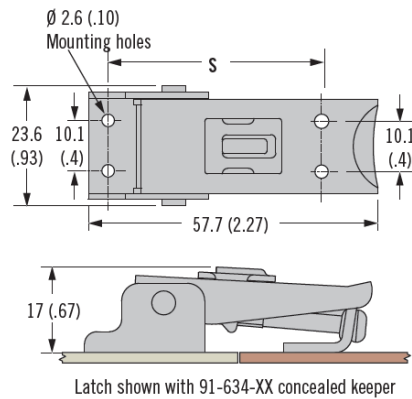


### Latch

#### Standard

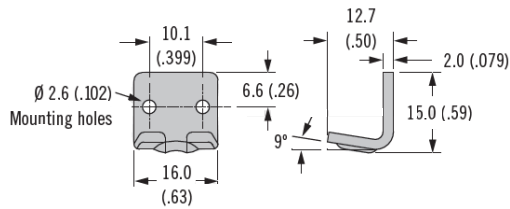


#### Secondary Catch

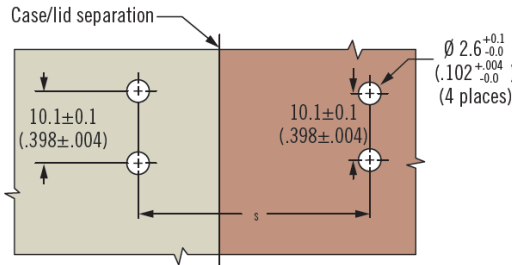
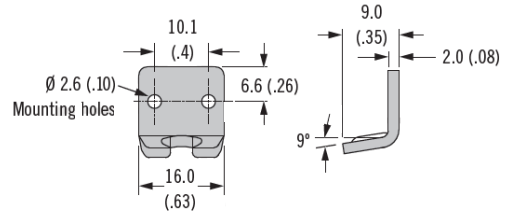


### Keeper

#### Exposed



#### Concealed



Material	Latch Part Number	
	Standard	Secondary Catch
Steel	91-351-07	91-361-07
Stainless Steel	91-351-52	91-361-52

S	Keeper Type	Steel	Stainless Steel
		39 - 47 (1.53 - 1.85)	Concealed
52 - 60 (2.04 - 2.36)	Exposed	91-630-07	91-630-52

